

# TECHNICAL DATA SHEET

## ROOF RACK® INSULATION SPACER

### Product description and typical applications

First to market Roof Rack® is a revolutionary roofing accessory developed to satisfy National Construction Code (NCC) requirements relating to energy efficiency. Produced from high tensile galvanised steel, Roof Rack® is designed for use in commercial metal roof systems. The insulation spacer sits between the roof structure and the external cladding membrane to create the space required for insulation blanket to recover to its full nominal thickness between purlins.

Section J of the NCC stipulates insulation must maintain its position and thickness between purlins to deliver its intended Material R-value. Failure to incorporate an insulation spacer into the design of a system can significantly compromise the thermal performance and thus energy efficiency of a building, diminishing the Material R-value of the insulation by up to 80%.

Roof Rack® has passed Low-High-Low (LHL) testing deeming it suitable for use in cyclonic regions. Roof Rack® is compatible with concealed fix roof cladding and is suitable for use on roofs with a pitch up to and including 22.5 degrees.

For pierced fix roof systems, Fletcher Insulation's Roof Razor® is recommended – visit [www.insulation.com.au](http://www.insulation.com.au) for further information.

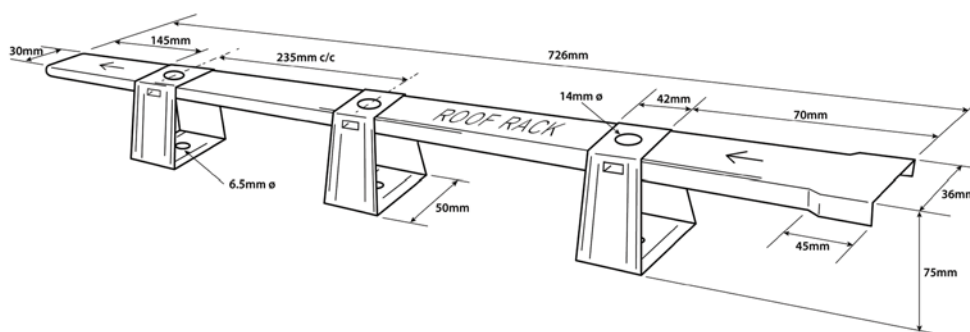
### Product details

Product description	Spacer height mm	Spacer length mm	Pieces per pack	Lineal metres per pack	Product code
Roof Rack®	75	726	20	14.52	393076
	100	726	20	14.52	393077

### Material specifications

Roof Rack® is available in 75mm and 100mm height variants and is manufactured using high tensile galvanised steel. The top channel is manufactured from 1.2mm, G500 (500MPa yield) with AZ150 (150g/m<sup>2</sup> coating mass). The legs are manufactured from 1.2mm, G2 with AZ150.

Roof Rack® has been tested (with and without concealed roof sheeting attached) for wind uplift, serviceability and foot /traffic load limits according to AS 1562.1-1992 and AS 4040.1- 1992. Testing demonstrated that the use of Roof Rack® does not diminish the performance of a roof system.



---

## Roof Rack® insulation spacer for use in cyclonic regions

Roof Rack® insulation spacer has successfully passed Cyclic LHL Testing at the EngTest Facility through the University of Adelaide School of Civil, Environmental and Mining Engineering.

---

## Thermal performance

Roof Rack® is available in two heights to suit most commonly used glasswool blanket thicknesses::

- 75mm Roof Rack® is generally recommended for use with 100mm thick Permastop® Building Blanket.
- 100mm Roof Rack® is generally recommended for use with 130mm thick Permastop® Building Blanket.

For Total R-value guidance relating to systems incorporating Roof Rack®, visit [www.insulation.com.au/fletcherspecpro](http://www.insulation.com.au/fletcherspecpro)

---

## Compatible roof systems

Roof Rack® insulation spacer is suitable for use with the following concealed fixed roof systems:

- Lysaght Klip-Lok® 700
- Stramit Speed Deck Ultra®
- Fielders King Klip® 700
- Steeline Lokdek® 680
- Metroll Metlok® 700

Note: Roof Rack® insulation spacer can be used with sheets that are less than 680mm or more than 700mm wide, however clips cannot be pre-assembled on-ground.

---

## Roof Rack® insulation spacer accessories

Roof Rack® End Clips are used at the start and end (if required) of each purlin to provide extra support.

---

## Specification notes

When specifying, state the following:

Application: Incorporate Roof Rack® insulation spacers over Permastop® Building Blanket along the purlin line to achieve the recovered thickness of the insulation blanket.

Product name: 75mm Roof Rack® insulation spacer or 100mm Roof Rack® insulation spacer.

---

© Fletcher Insulation Pty Limited 2016. Fletcher Insulation reserves the right to change product specifications without prior notification. Information in this publication and otherwise supplied to users as to the subject product is based on our general experience and is given in good faith, but because of the many particular factors which are outside our knowledge and control and affect the use of products, no warranty is given or is to be implied with respect to either such information or the product itself, in particular the suitability of the product for any particular purpose. Unless otherwise stated all ™ and ® are trademarks and registered trademarks of Fletcher Insulation Pty Limited ABN 72 001 175 355.  
HTDS6\_Revision\_0\_Issue Date 17022016

**Fletcher**<sup>®</sup>  
**Insulation**  
**Building Better, Together.**